

DWM



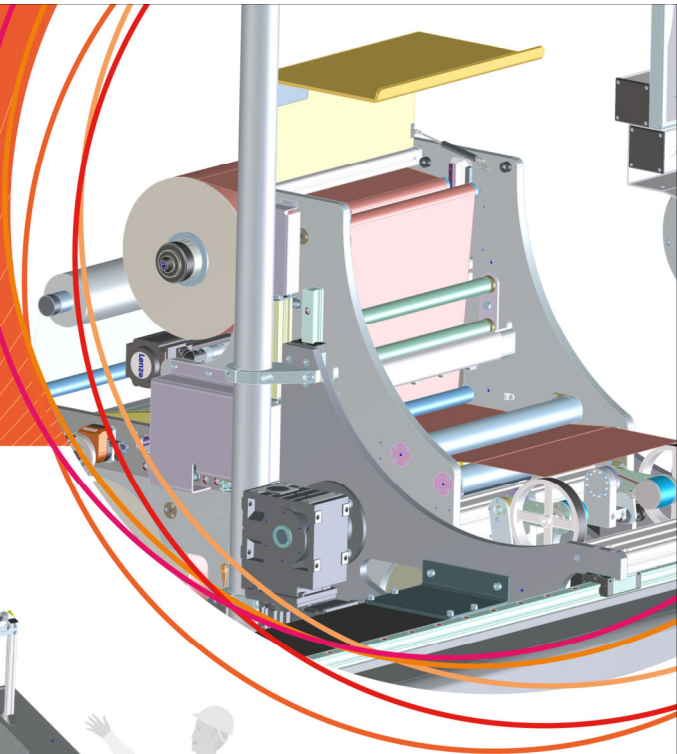
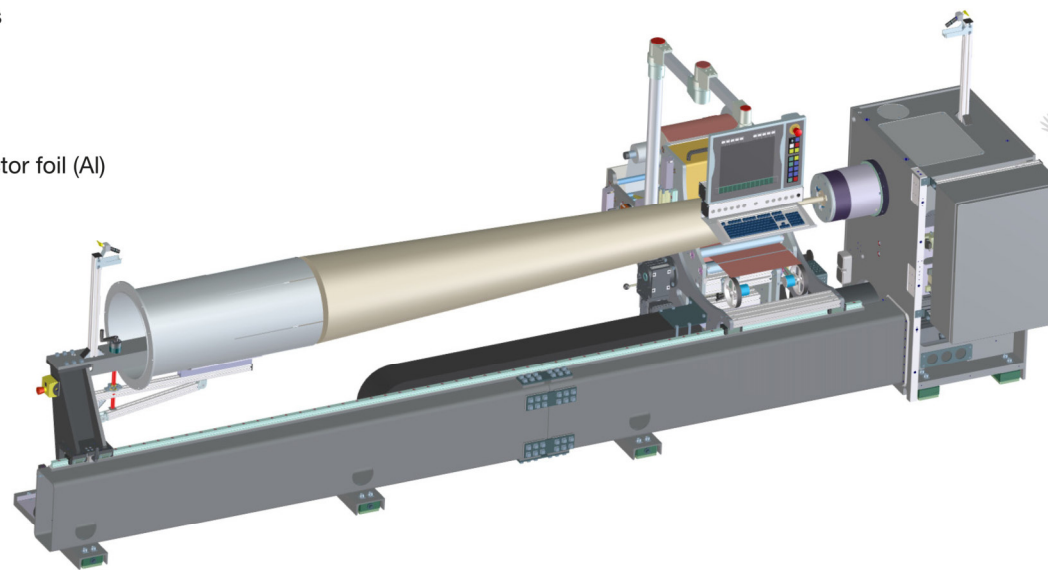
Special machine design

Basics

- Winding machine for gas-insulated bushings
- Fully automatic operation
- Outer diameter up to 500 mm / 19.7"
- Winding width: max. 4000 mm / 13.1'
- Winding of 2 insulation foils and one conductor foil (Al)
- Automatic conductor foil cutting equipment

Options

- Edge folding unit
- Storage for metal sheet coating
- Ionizer
- Automatic traverse feed control
- Slit cutting for end foil connection



 Quality made in Germany